

Document version	Confidential
V2.0.0	

F2X14-DK Series IP Modem Technical Specification



General

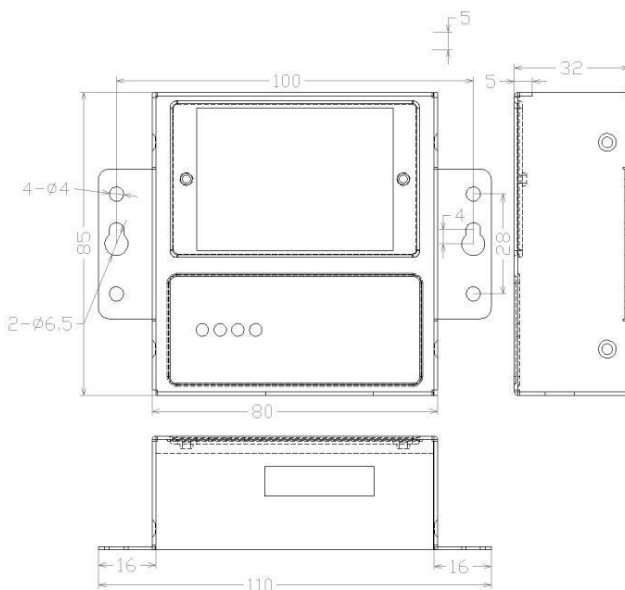
F2X14-DK Series IP Modem is a kind of cellular terminal device that provides data transfer function by GPRS/WCDMA/EVDO/LTE network.

It adopts high-powered industrial 32 bits CPU and embedded real time operating system, it is dual serial port design, supports RS232 or RS485 port (Optional) that can conveniently and transparently connect one device to a cellular network, allowing you to connect to your existing serial devices with only basic configuration. It also has low power consumption states.

It has been widely used on M2M fields, such as intelligent substation, intelligent distribution network, smart electricity meters, intelligent interactive terminal, intelligent scheduling, intelligent home appliances, intelligent electricity building, power grids for smart cities, intelligent power generation system, smart grids (Such as new energy storage systems)and so on.



Product size (Unit: mm) :



Note: There may be differences between different types of accessories and interfaces. Please refer to the actual product.

Product Features

Design for Industrial Application

- ◆ High-powered industrial cellular module
- ◆ High-powered industrial 32 bits CPU
- ◆ Low power consumption design, to reduce the power dissipation in the most way
- ◆ Embedded Real-Time Clock (RTC)
- ◆ Metal shell, IP30.Metal enclosure is safely isolated with system , especially suitable for industrial control field applications
- ◆ Power range: DC 5~36V
- ◆ Operating temperature-40~75°C

Stability and Reliability

- ◆ Support hardware and software WDT
- ◆ Support auto recovery mechanism, including online detect, auto redial when offline to make it always online
- ◆ RS232/RS485 ports:15KV ESD and surge protection
- ◆ Power port: reverse-voltage and overvoltage protection
- ◆ SIM/UIM port: 15KV ESD protection

Standard and Convenience

- ◆ Support standard RS232/RS485 ports (Optional) that can connect to serial devices directly
- ◆ Support intellectual mode, enter into communication state automatically when power is on
- ◆ Provide management software for remote management (Optional)

- ◆ Support a variety of working modes which make it easy and flexible to use
- ◆ Convenient configuration and maintenance interface
- ◆ Support the serial update,remote update, can export the serial log
- ◆ Wall mounted , easy installation, fast fixing, conveniently and quickly

High-performance

- ◆ Support TCP server and support 4 TCP client connection (optional)
- ◆ Support protocol conversion between ModBus and RTU/TCP (optional)
- ◆ Support dual data center backup transmission and multiple data center synchronous transmission (5 data centers)
- ◆ Support multi data centers and it can support 1-5 data centers at the same time
- ◆ Support protocol conversion between 101 and 104 (optional)
- ◆ Support standard TCP/UDP protocol, support data transfer transparently
- ◆ Support login security authentication
- ◆ Multiple indicator lights that can indicate a variety of system states
- ◆ Support read device status in real-time by serial ports, such as IMEI, SIM card status,IP address, signal value and so on.

Product Specification-----

Wireless parameters

Item	Content
F2114-DK GPRS IP MODEM	
Standard and Band	EGSM 900/GSM 1800MHz, GSM 850/900/1800/1900MHz(optional) Compliant to GSM phase 2/2+ GPRS class 10, class 12(optional)
Bandwidth	85.6Kbps
TX power	GSM850/900: <33dBm GSM1800/1900: <30dBm
RX sensitivity	<-107dBm
F2414-DK WCDMA IP MODEM	
Standard and Band	DC-HSPA+/HSPA+/HSDPA/HSUPA/UMTS,850/1900/2100MHz,850/900/1900/2100MHz (Optional) GSM850/900/1800/1900MHz GPRS/EDGE CLASS 12
Bandwidth	DC-HSPA+: Download speed 42Mbps, Upload speed 5.76 Mbps HSPA+: Download speed 21Mbps, Upload speed 5.76 Mbps HSDPA: Download speed 7.2Mbps , HSUPA: Upload speed 5.76Mbps UMTS: 384Kbps
TX power	<24dBm
RX sensitivity	<-109dBm
F2614-DK EVDO IP MODEM	
Standard and Band	CDMA2000 1X EVDO Rev A 800MHz , 800/1900MHz (Optional),450MHz (Optional) CDMA2000 1X EVDO Rev B 800/1900MHz (Optional) IS-95 A/B and CDMA2000 1xRTT wireless network
Bandwidth	EVDO Rev. A: Download speed 3.1Mbps, Upload speed 1.8Mbps EVDO Rev. B: Download speed 14.7Mbps, Upload speed 5.4Mbps (Optional)
TX power	<23dBm
RX sensitivity	<-104dBm
F2814-DK FDD-LTE IP MODEM	
Standard and Band	LTE FDD 2600/2100/1800/900/800MHz, 700/1700/2100MHz (Optional) DC-HSPA+/HSPA+/HSDPA/HSUPA/UMTS 850/900/2100MHz , 800/850/1900/2100MHz (Optional) EDGE/GPRS/GSM 850/900/1800/1900MHz , GPRS CLASS 10 EDGE CLASS 12
Bandwidth	LTE FDD: Download speed 100Mbps, Upload speed 50Mbps DC-HSPA+: Download speed 42Mbps, Upload speed 5.76 Mbps HSPA+: Download speed 21Mbps, Upload speed 5.76 Mbps HSDPA: Download speed 7.2Mbps , HSUPA: Upload speed 5.76Mbps UMTS: 384Kbps
TX power	<23dBm
RX sensitivity	<-97dBm

Interface type

Item	Content
SDI	Num.of ports: 2 Port 1: RS232 Port 2: RS232 (Standard) / RS485 (Optional) Serial port type : Terminal interface Stop bits: 1、2 Parity: none, even, odd, Baud rate: 300~115200bps
Antenna	Standard SMA negative head antenna interface, 50 ohm
SIM/UIM	Standard clamshell socket interface, support 1.8V/3V SIM/UIM card, 15KV ESD protection
Indicator	Power、Module、SIM、Status

Power supply

Item	Content
Standard	DC 12V/0.5A
Power range	DC 5~36V

Consumption

Item	Content
Communication	45~90mA@12VDC
Standby	10~15mA@12VDC

Physical Characteristics

Item	Content
Housing	Metal, IP30
Dimension	110x85x32mm (Except antenna)
Weight	About 290 g

Other parameters

Item	Content
Working temperature	-40~+75°C (-40~+167°F)
Storage temperature	-40~+85°C (-40~+185°F)
Relative humidity	95%(unfreezing)

Ordering Information

Model No.	Description
F2114-DK	GPRS IP MODEM
F2414-DK	WCDMA IP MODEM
F2614-DK	EVDO IP MODEM
F2814-DK	FDD LTE IP MODEM