

# Overhead Line Remote Fault Indicators

## JYZ-HW-FI Specification

Vision	
V1.0.1	

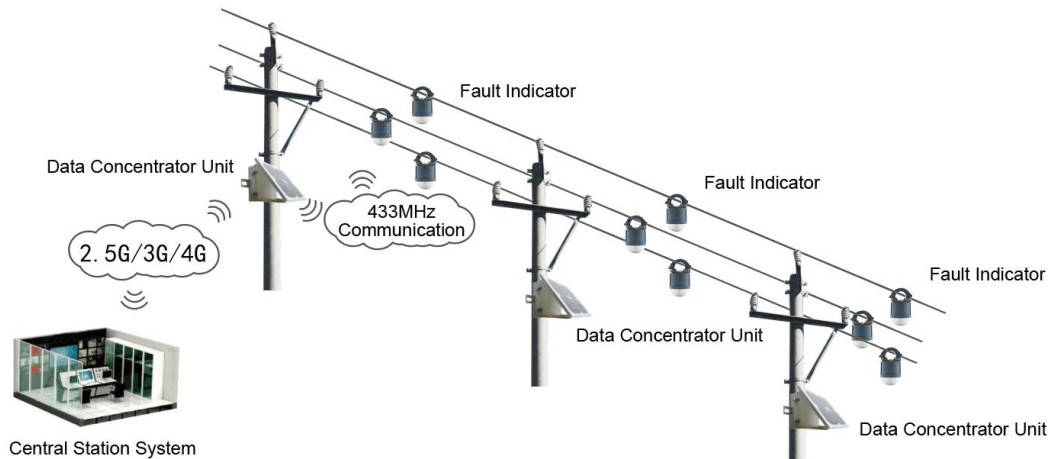


JYZ-HW-FI Overhead Line Remote Fault Indicators is usually used in 5~38KV overhead line power distribution network to monitor and detect short-circuit and earth fault. The fault signal is indicated by mechanical flag and three ultra-bright blinking LEDs with 360° sight. The fault information and load current value can also be uploaded to the SCADA by 2G/3G/4G networks.

The indicator can be mounted under live conditions with the help of an adapter and a hot stick. The parameters such as trip current, reset time, blinking interval, etc., can be read and adjusted by a bidirectional wireless tool. Permanent fault, transient fault, and battery low voltage alarm can be distinguished and indicated separately by 3 different ultra-bright blinking LEDs. And the earth-fault can be indicated by two alternating different ultra-bright blinking LEDs.

The earth-fault and short-circuit fault indicator type JYZ-HW-FI V1.0 consists of:  
 1 pc DCU: Transmission fault and load current value to SCADA  
 3 pc indicators: short-circuit and earth fault detection and indication

## Topology



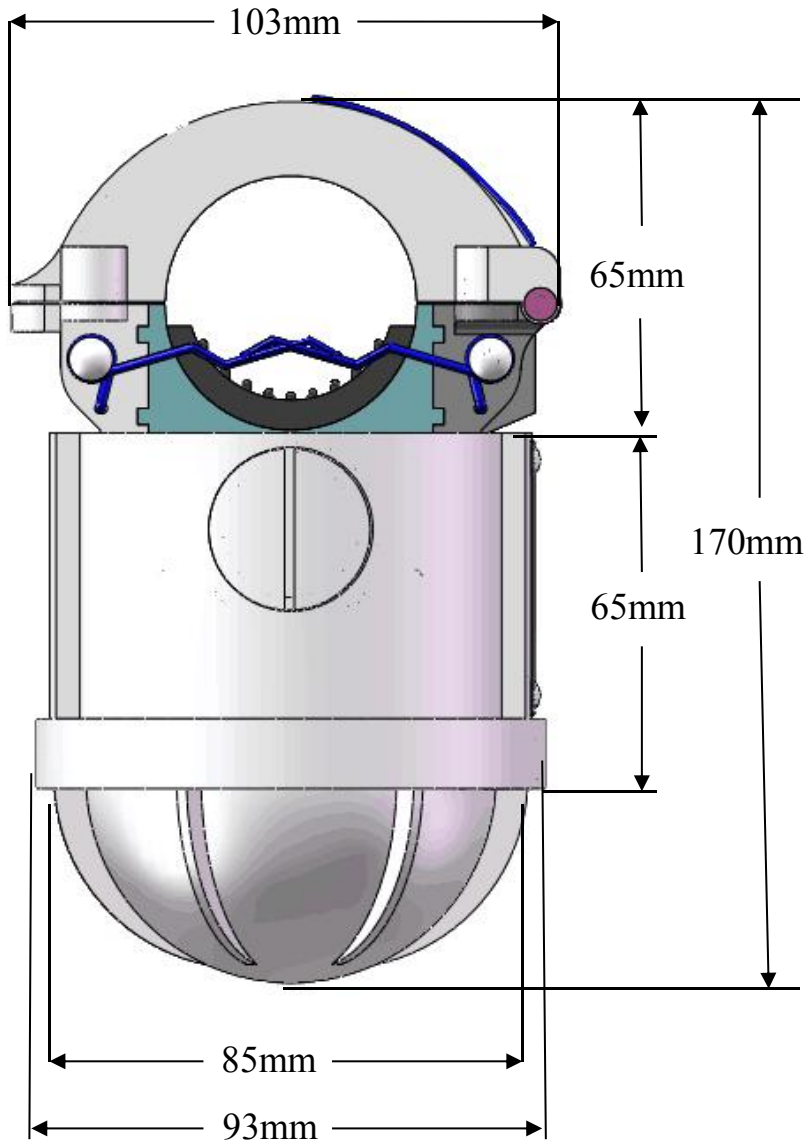
## Features

- Permanent Fault:** Indication of permanent fault by three red ultra-bright blinking LEDs.
- Ttransient Fault:** Indication of Ttransient fault by three green ultra-bright blinking LEDs.
- Earth-fault:** Indication of earth-fault by red and green ultra-bright LEDs blinking alternately.
- Low Battery Warning:** Indication of Low battery alarm by three yellow ultra-bright blinking LEDs.
- Parameter Adjusted:** The parameters can be read and adjusted by bidirectional wireless tools.
- Remote Transmission:** DCU can transmit data to remote SCADA system.
- Power Supply:** The indicator can take power from overhead lines, with lithium battery backup.  
The DCU can take power from solar energy with lithium battery backup.

## General Data

Subject	Value
Short-circuit Trip Current (Phase to Phase)	Adjustable, 1A step, 150A default
Earth-fault Voltage Drop (Phase to Ground)	Adjustable: 1% step, 30% default
Earth-fault Response Delay	Adjustable: 1 second step, 30s default
Indication Unit Reset	<ol style="list-style-type: none"> <li>1. Manual by magnet</li> <li>2. Communications by wireless tools or DCU (optional)</li> <li>3. Time reset: adjustable, 1 second step, 24h default</li> <li>4. Auto delay reset after repower, 1 second step, 30s default</li> </ol>
Protection Class	IP68
Internal Type Test	According to IEEE495-2007
Operation Temperature Range	-40~+70°C
Power Supply	Lithium battery type AA 3.6V / 2.7Ah, replaceable
Battery Life	Approx. 10 years
Weight	<1kg
Dimensions	Diameter: 93mm Height: 170mm
Accuracy	0A~300A ±3A 300A~800A ±1% 800A~1200A ±2%
Cable Diameter Ranges	6mm~42mm
Blinking Frequency	20 per minute, adjustable
Maximum Operating Voltage	≅ 38KV
Current Withstand	31.5KA/2s
Communication	433MHz from indicators to DCU 2G/3G/4G from DCU to SCADA

## Dimension



## Order Info

Item	Content
Type	Local type(3 pcs indicators) <input type="checkbox"/> Remote type(3 pcs indicators+1 DCU) <input type="checkbox"/>
Parameter	Voltage level: KV, Frequency: Hz SIM card quantities: 1 <input type="checkbox"/> /2 <input type="checkbox"/>
Accessories	DCU: Solar panel <input type="checkbox"/> Battery <input type="checkbox"/> Housing <input type="checkbox"/> DC adapter <input type="checkbox"/>