

Remote Overhead Line Fault Indicators

JYZ-FF Datasheet

Document Version: V2.0.1
Date: 30th Aug. 2019



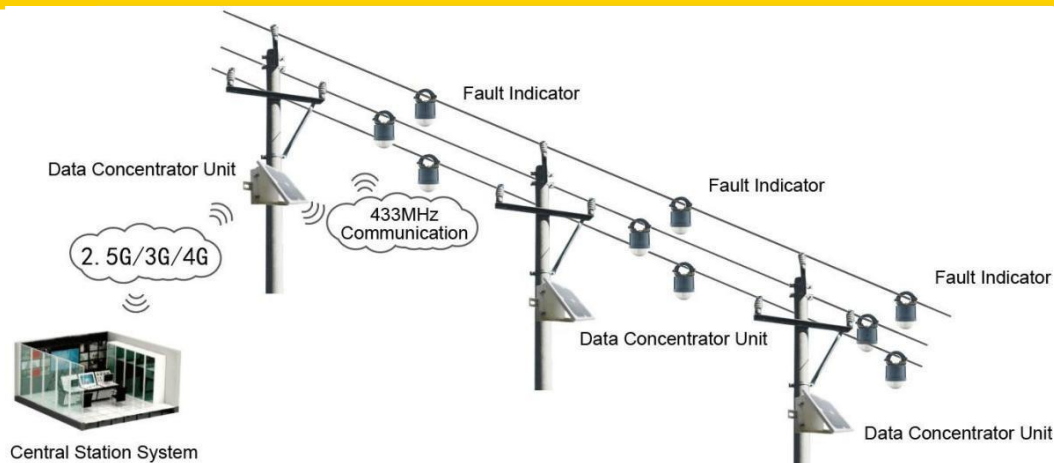
JYZ-FF Overhead Line Remote Fault Indicators is usually used in 5~38KV (can be customized by 44KV, 69KV and 110KV) overhead line power distribution network to monitor and detect short-circuit and earth fault. The fault signal is indicated by mechanical flag and three ultra-bright blinking LEDs with 360° sight. The fault information and current value can also be uploaded to the SCADA by 2.5G/3G/4G networks.

The indicator can be mounted under live conditions with the help of an adapter and a hot stick. The parameters such as trip current, reset time, blinking interval, etc., can be read and adjusted by a bidirectional wireless tool. Battery low warning can be distinguished and indicated locally by red mechanical flag

The earth-fault and short-circuit fault indicator type JYZ-FF consists of:

- 1) 1 pcs DCU: Transmission fault and load current value to SCADA
- 2) 3 pc indicators: short-circuit and earth fault detection and indication

Topology



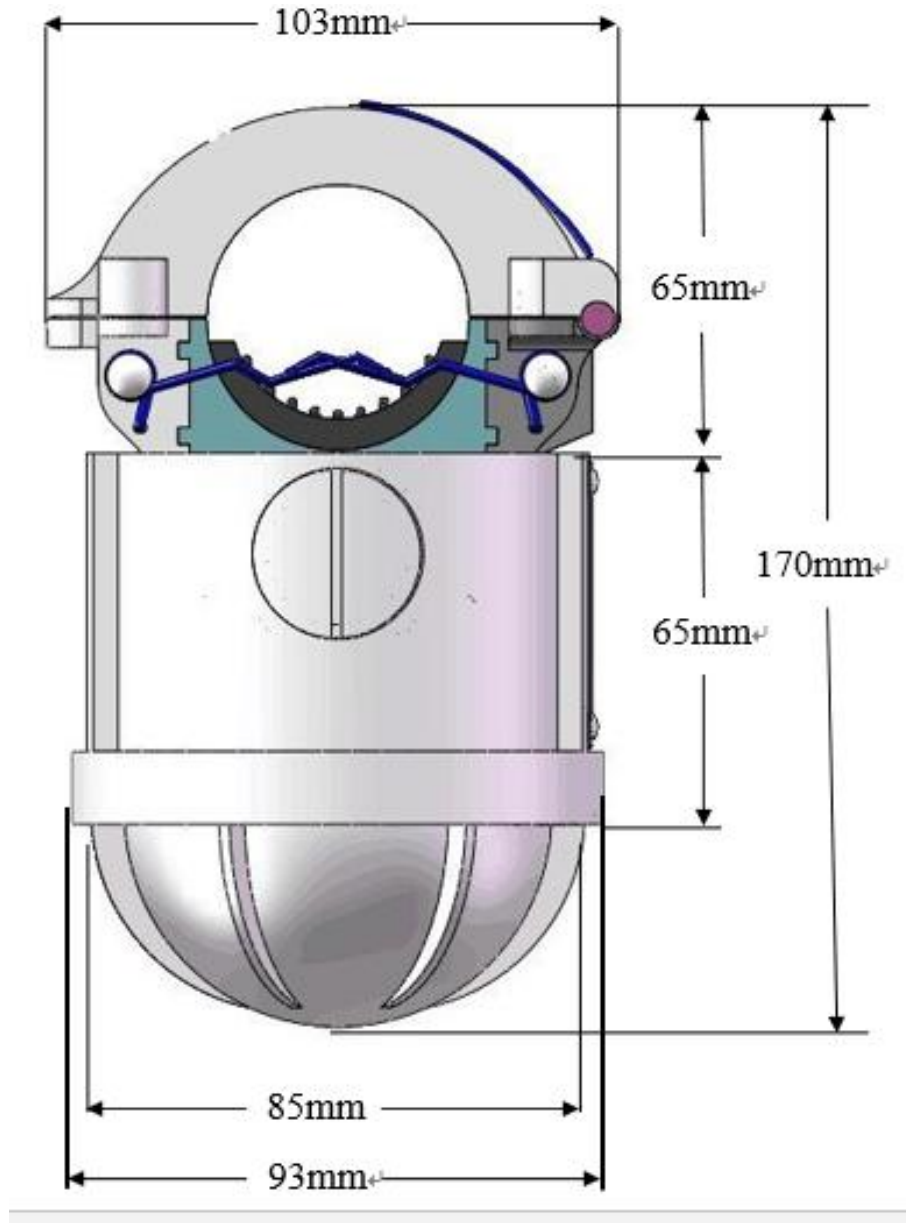
Features

- | | |
|----------------------|--|
| Short Circuit: | Indicated by red mechanical flag and three ultra-bright blinking LEDs. |
| Earth-fault: | Indicated by red mechanical flag and three ultra-bright blinking LEDs. |
| Low Battery Warning: | Indicated by red mechanical flag |
| Parameter Adjusted: | The parameters can be read and adjusted by bidirectional wireless tool. |
| Remote Transmission: | DCU can transmit data to SCADA system. |
| Power Supply: | The indicator can take power from overhead lines, with lithium battery as backup.
The DCU can take power from solar energy with lithium battery backup. |
| Note: | fault types can't be distinguished locally, but you can get information from SCADA system |

General Data

Subject	Value
Short-circuit Trip Current (Phase to Phase)	50~1200A adjustable, 1A step, 150A default
Earth-fault Voltage Drop (Phase to Ground)	Adjustable: 1% step, 30% default
Earth-fault Response Delay	Adjustable: 1 second step, 30s default
Indication Unit Reset	<ol style="list-style-type: none"> 1. manual by magnet. 2. remote reset through SCADA system 3. time reset: adjustable, 1 second step, 24h default, max. 48h 4. Auto delay reset after repower, 1 second step, 30s default, max 5min, only for permanent fault
Protection Class	IP68
Internal Type Test	According to IEEE495-2007
Operation Temperature Range	-40~+70°C
Indicator Battery	Lithium battery type AA 3.6V / 2.7Ah, replaceable
Battery Life	Approx. 10 years
Indicator weight	approx. 620g
DCU weight	approx. 3.6Kg
Dimensions	Diameter: 93mm Height: 170mm
Accuracy	0A~300A ±3A 300A~800A ±1%
Cable Diameter Ranges	6mm~42mm
Blinking Frequency	10 per minute, adjustable
Max. load/fault current	1200A
Voltage range	5~38KV, can be customized to 44KV, 69KV and 110KV
Current withstand	31.5KA/4s
Communication	433MHz from indicators to DCU 2.5G/3G/4G from DCU to SCADA
Communication Protocol	Indicator to DCU: private DCU to SCADA: IEC101, IEC104, DNP3.0, Modbus

Dimension



Order Info

Item	Content
Type	Local type(3 pcs indicators) <input type="checkbox"/> Remote type(3 pcs indicators+1 DCU) <input type="checkbox"/>
Parameter	Voltage level: KV, Frequency: Hz SIM card quantities: 1 <input type="checkbox"/> /2 <input type="checkbox"/>
Accessories	DCU: Solar panel <input type="checkbox"/> Battery <input type="checkbox"/> Housing <input type="checkbox"/> DC adapter <input type="checkbox"/>